

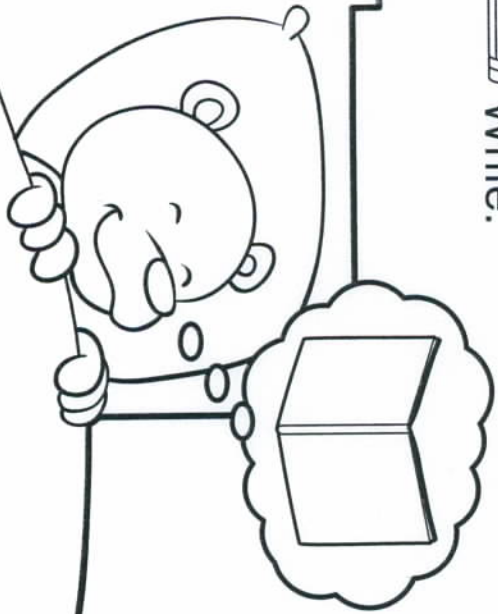
Name \_\_\_\_\_

For Any Book  
Problem and solution (RL.K.1)

# A Story in Mind



Write.



Book title:

What is the story problem?

What is a story solution?

**Bonus:** Write to tell a different story solution.

Name \_\_\_\_\_

Flowers

Opposites (L.K.5b)

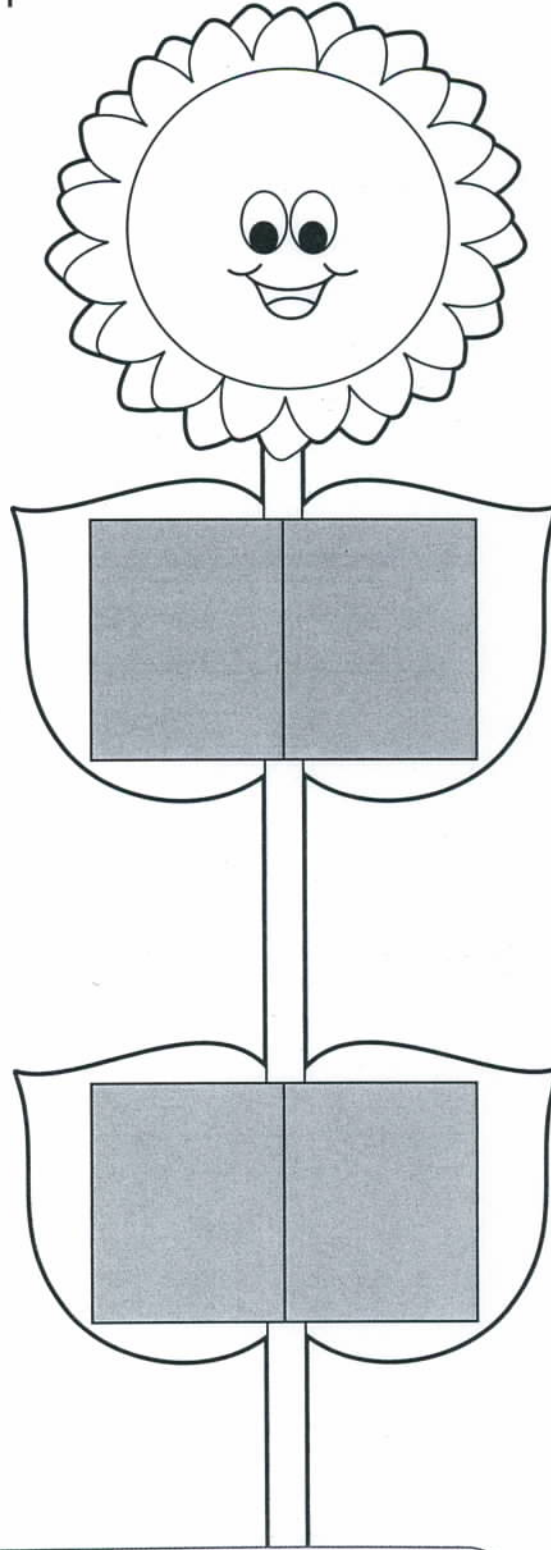
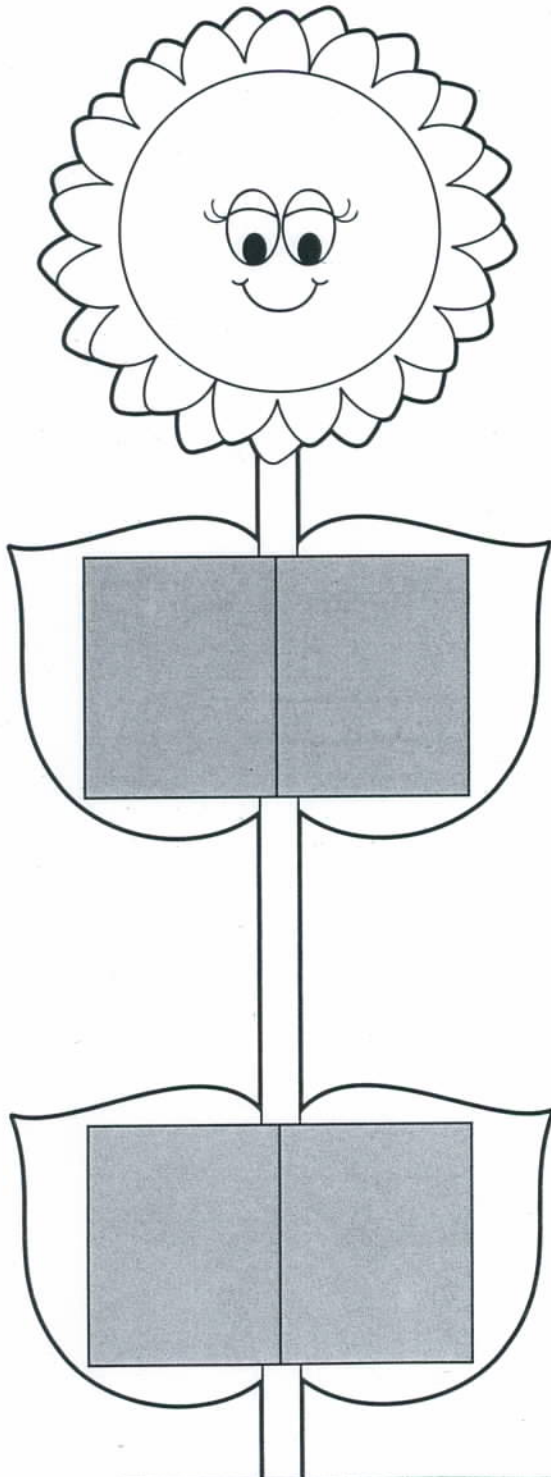
# Best Buds



Cut.



Glue to match the opposites.



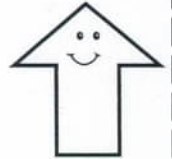
day



on



big



up



off



down



night



little

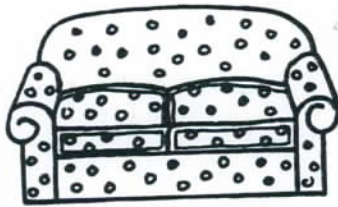
**Bonus:** Draw a tall flower and a short flower. Label your drawings.



Name \_\_\_\_\_

# Ordering by Weight

1



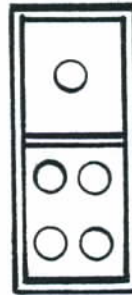
2



3



4



5



6

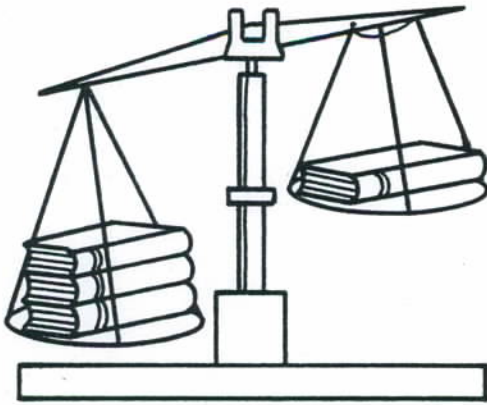


**Directions:** In each box, have children color the heaviest one and put an X on the lightest one.

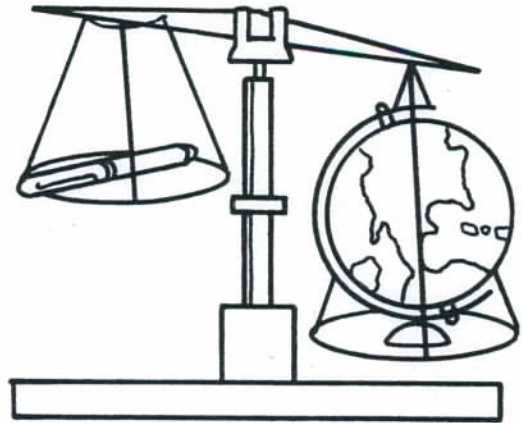
Name \_\_\_\_\_

# Compare Weights

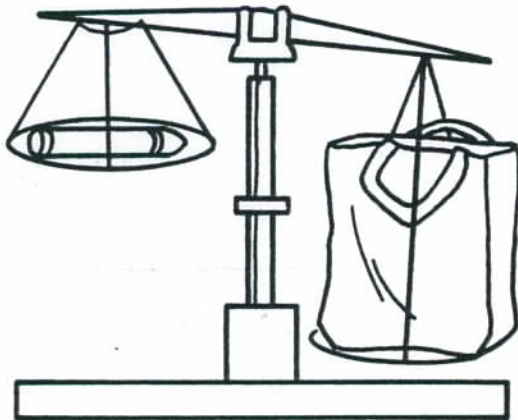
1



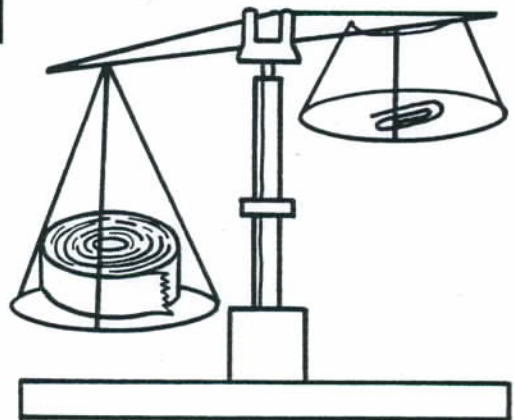
2



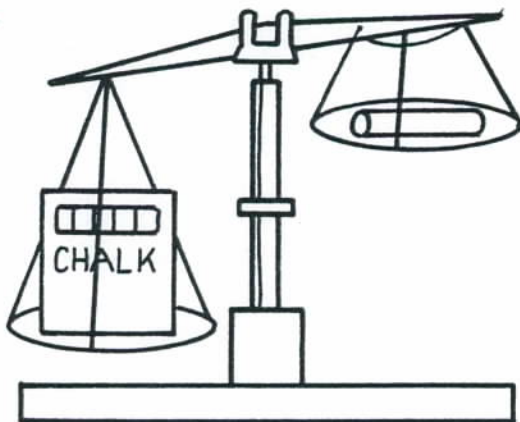
3



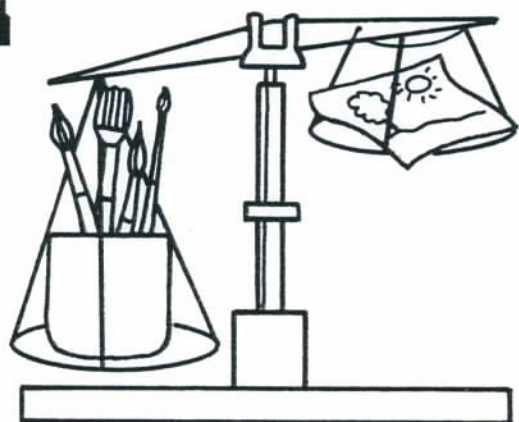
4



5



6



**Directions:** Have children circle the heavier object on each scale.